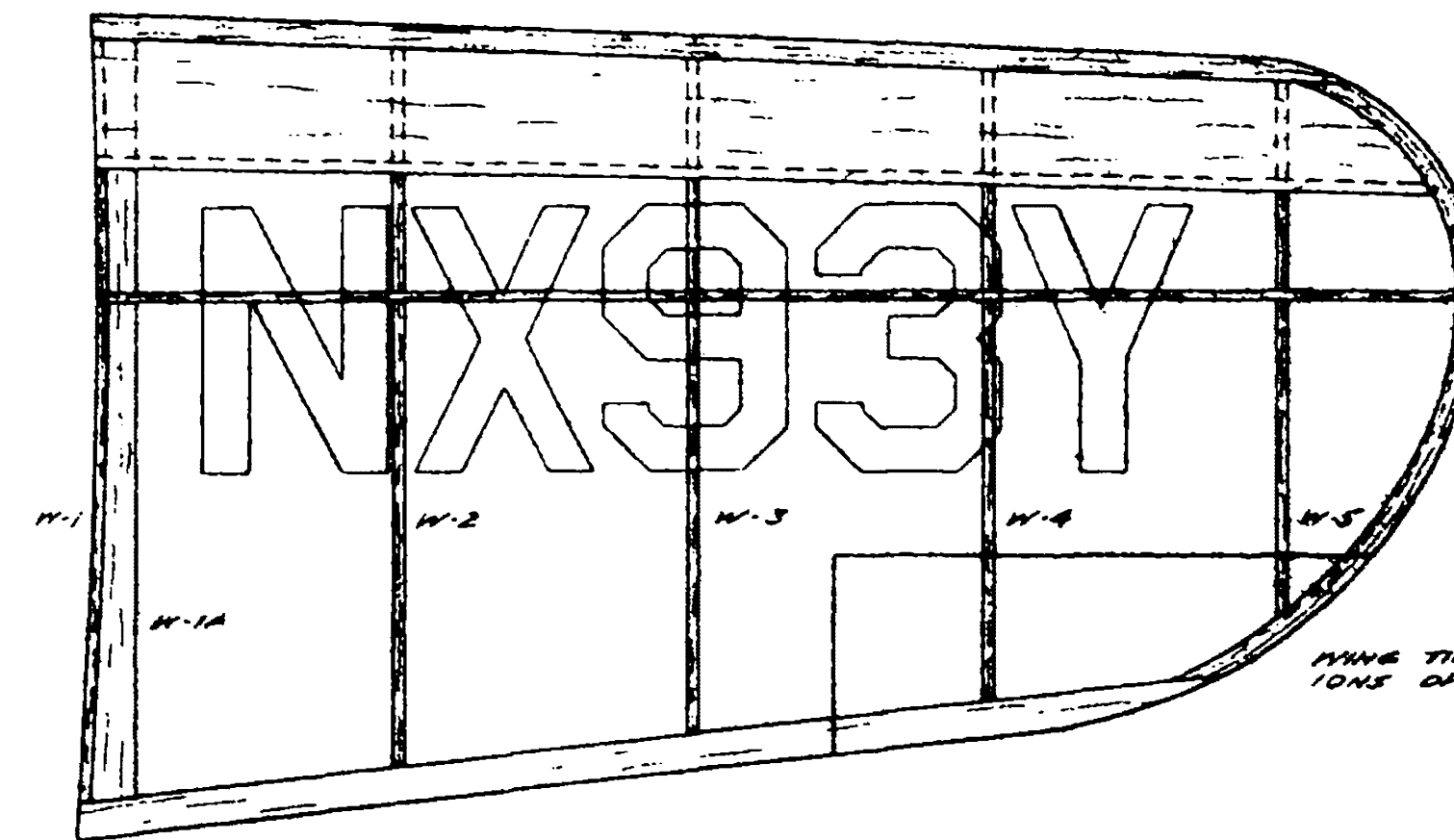
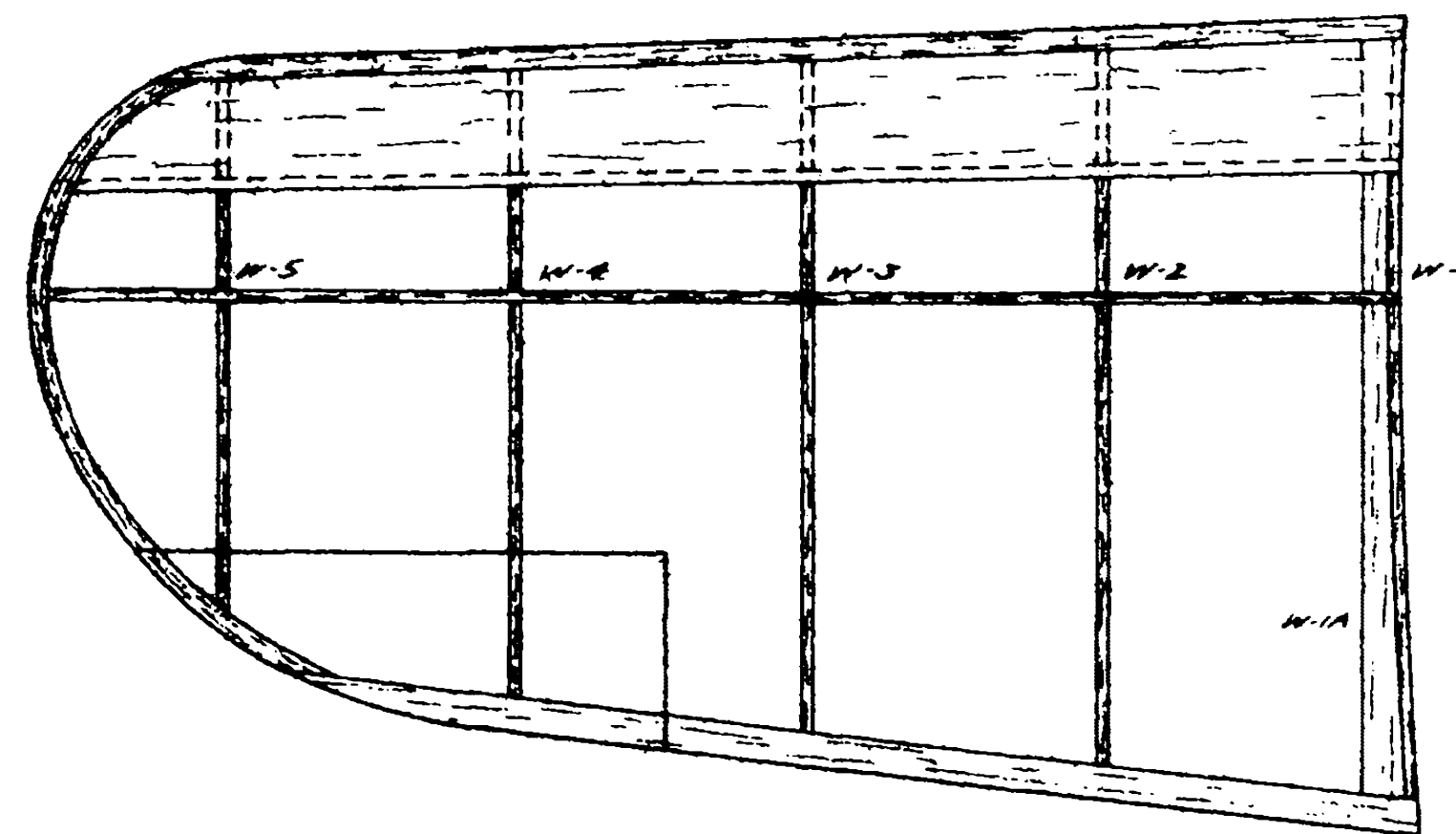
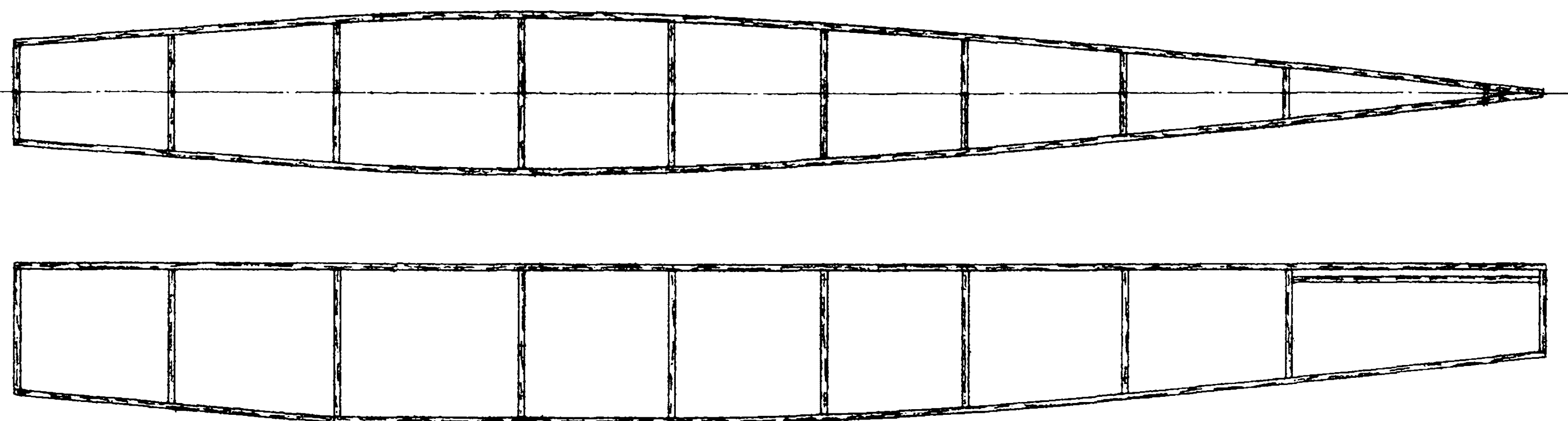


FRONT VIEW

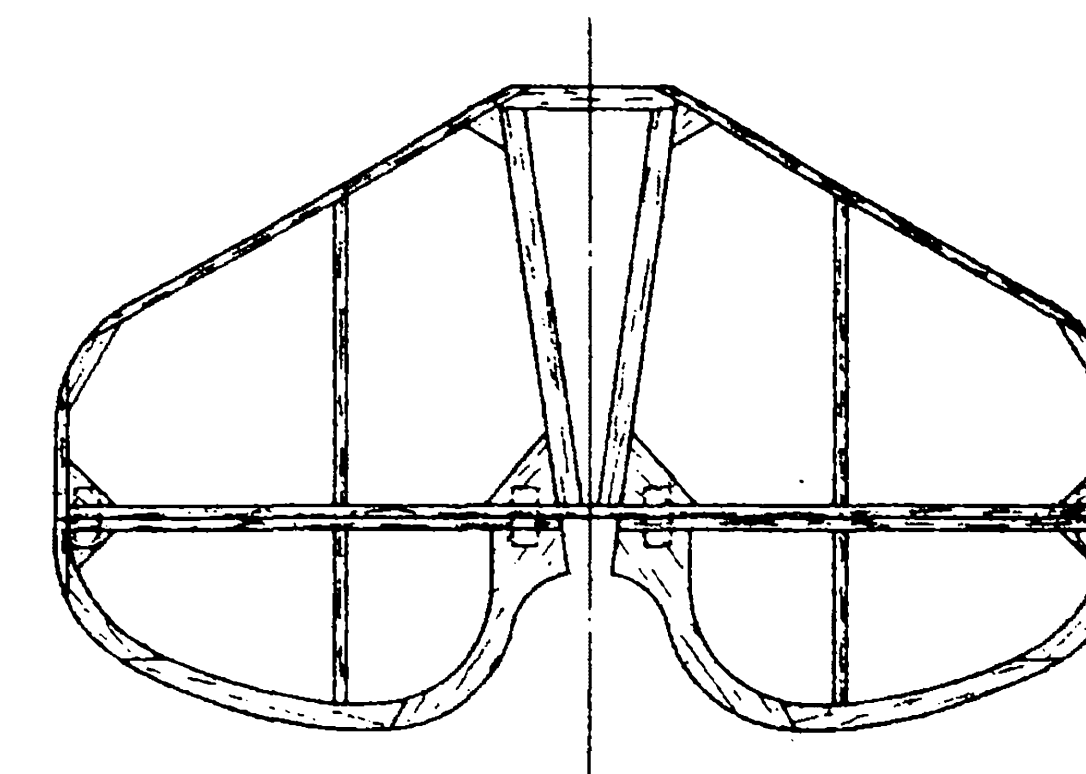
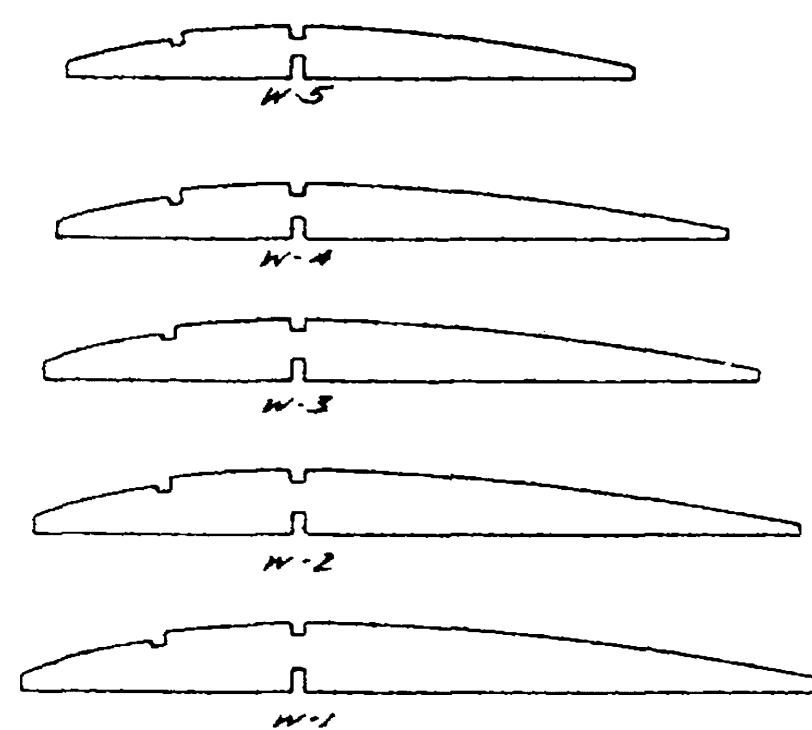


THICK TIP - 3 LAMINATIONS OF 1/32 BALSAM

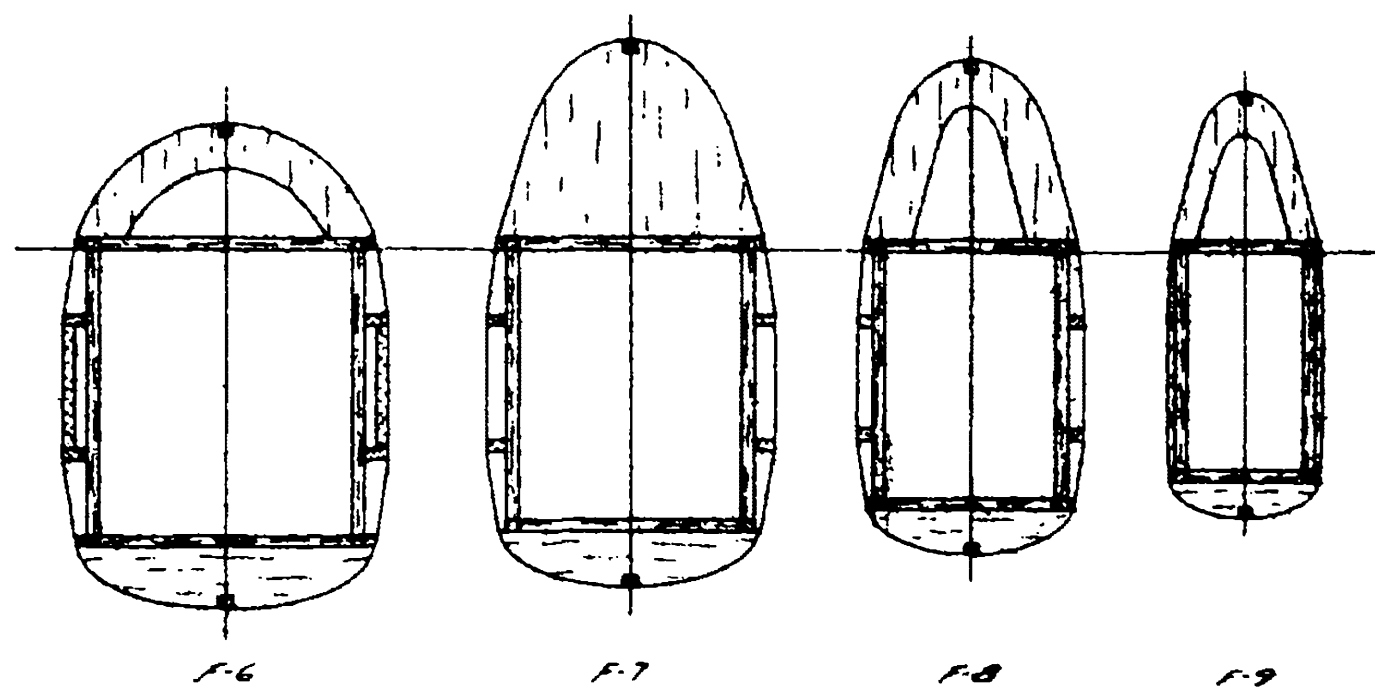
WINGS



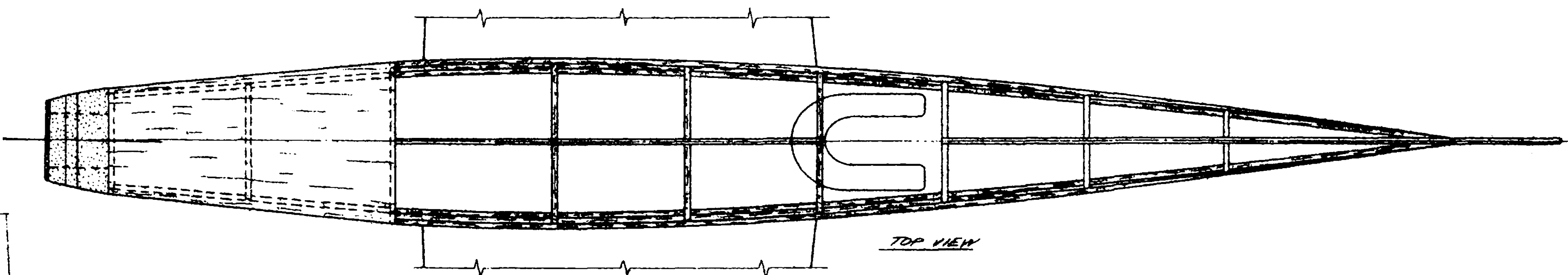
FUSELAGE BOX FRAME - 1/16 30 BALSAM



HORIZONTAL STAB - ELEVATOR



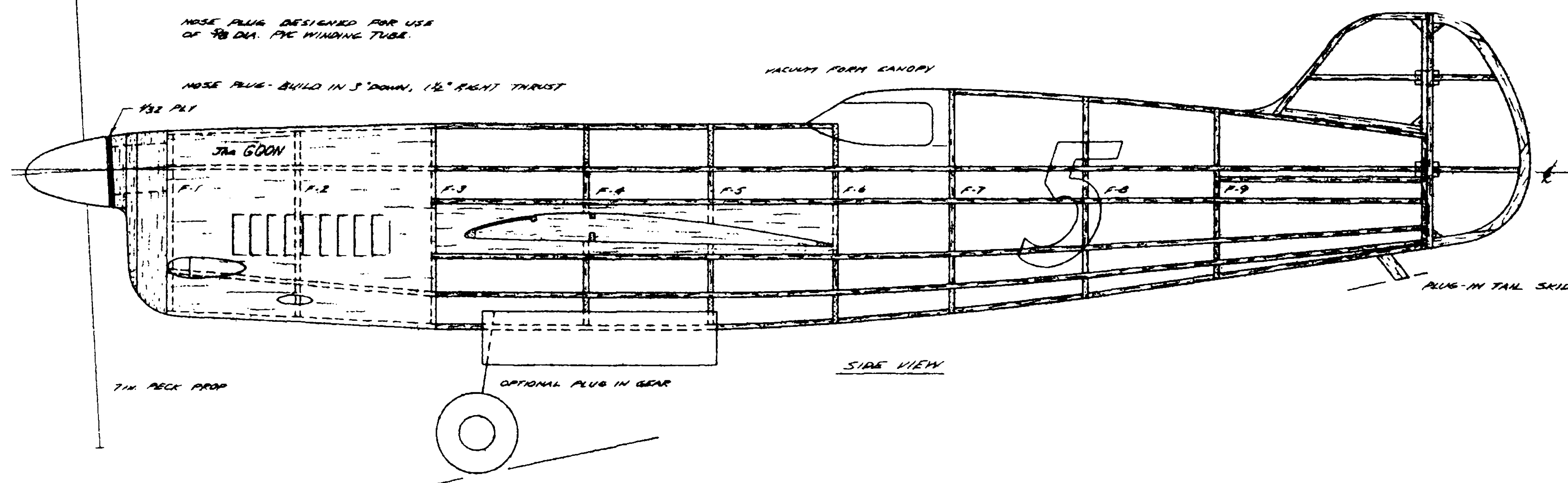
F-6 F-7 F-8 F-9



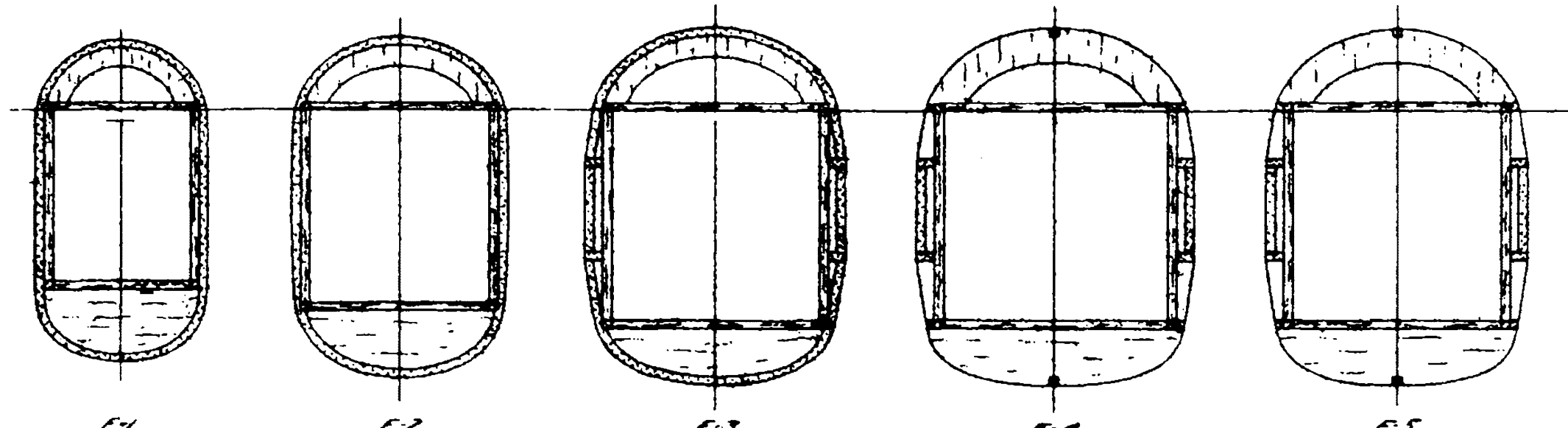
TOP VIEW

NOSE PLUG DESIGNED FOR USE OF 7/8 DIA. PVC WINDING TUBE

NOSE PLUG - BUILD IN 3" DOWN, 1/2" FRONT THRUST



SIDE VIEW



F-1 F-2 F-3 F-4 F-5

ART CHESTER "GOON" 16 3/4" SPAN